

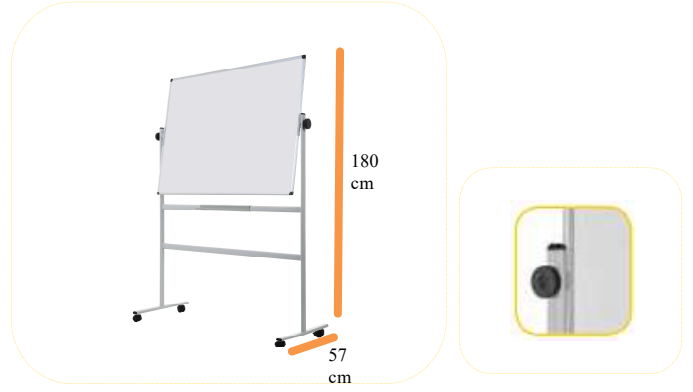
PRODUCT SHORT DESCRIPTION:

Practical mobile revolving double sided whiteboard

FEATURES AND BENEFITS:

- Economical mobile solution
- Robust stand mounted on four locking castors
- Available in three choices of surface
- Non magnetic dryerase surface
- Magnetic coated steel or premium ceramic surface
- Repositionable metal pen tray

PRODUCT IMAGE:



MARKETING COPY:

Our Mobile Boards provide stable solutions for use in conference rooms and multi-functional spaces. Adding portability to our top-line boards we created versatile solutions that combine the best and most useful characteristics of our dryerase magnetic boards with the possibility of using a double faced surface to expedite presentations.

APPLICATION AND SALES PROPOSITION:

- Enhanced presentation in a simple and easy way

TARGET MARKET:

CHANNEL: Office products wholesalers, office products stores, other retailers and building contractors

END USERS: conference centers, hotels, public buildings, public store buildings and private and public buildings in general

ADDITIONAL NOTES:

Other information supports: our official websites, Youtube®, Facebook®, catalogue and online catalogue, demo videos and more.

PROMOTIONAL TIPS:

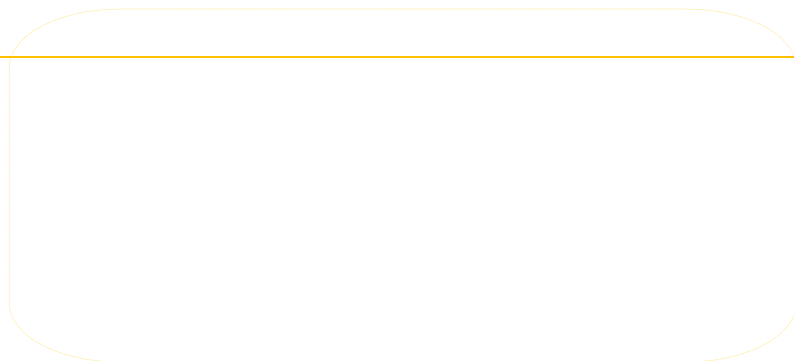
No specific timing, thus we recommend the occasional promotion like offering of accessories.

RANGING TABLE:

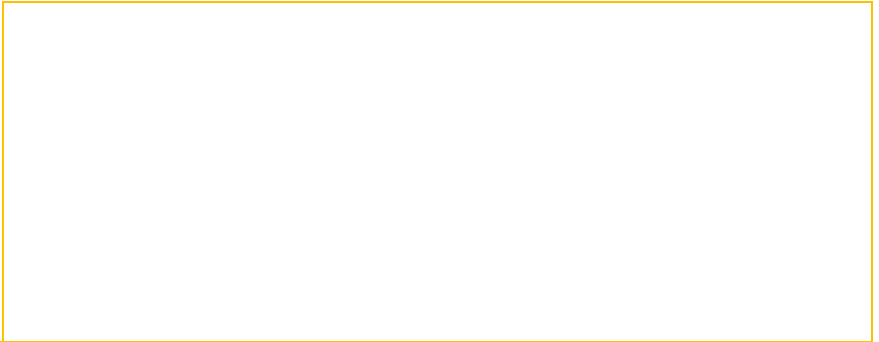
Frame/Colour:	Surface/Colour:	Product Size:	Packed mm	N.W. kg	G.W. kg	Reference:	RRP:
Grey Aluminium	White non-magnetic	900x1200	1890x950x65	28,00	30,80	QR1001	-
Grey Aluminium	White non-magnetic	1200x900	1330x950x65	21,10	24,10	QR0201	-
Grey Aluminium	White non-magnetic	1200x1200	1330x1260x65	23,80	27,20	QR0301	-
Grey Aluminium	White non-magnetic	1500x1000	1890x1260x65	23,80	27,20	QR0601	-
Grey Aluminium	White non-magnetic	1500x1200	1650x1260x65	26,60	31,00	QR0401	-

RANGING TABLE:

Frame/Colour:	Surface/Colour:	Product Size:	Packed mm	N.W. kg	G.W. kg	Reference:	RRP:
Grey Aluminium	White non-magnetic	1800x1200	1920x1305x85	29,50	34,28	QR0501	-
Grey Aluminium	White non-magnetic	2000x1000	1920x1305x95	29,00	33,00	QR0701	-
Grey Aluminium	White Magnetic	900x1200	1440x995x95	25,00	28,00	QR1003	-
Grey Aluminium	White Magnetic	1200x900	1440x995x95	25,00	28,00	QR0203	-
Grey Aluminium	White Magnetic	1200x1200	1330x1260x65	29,00	32,50	QR0303	-
Grey Aluminium	White Magnetic	1500x1000	1890x1260x65	29,00	32,50	QR0603	-
Grey Aluminium	White Magnetic	1500x1200	1615x1290x100	33,00	37,00	QR0403	-
Grey Aluminium	White Magnetic	1800x1200	1920x1305x85	36,50	41,28	QR0503	-
Grey Aluminium	White Magnetic	2000x1000	2200x1060x65	34,50	38,50	QR0703	-
Grey Aluminium	White Ceramic	900x1200	1890x950x65	28,00	30,80	QR1004	-
Grey Aluminium	White Ceramic	1200x900	1330x950x65	28,00	30,80	QR0204	-
Grey Aluminium	White Ceramic	1200x1200	1330x1260x65	33,00	36,00	QR0304	-
Grey Aluminium	White Ceramic	1500x1000	1890x1260x65	33,00	36,00	QR0604	-
Grey Aluminium	White Ceramic	1500x1200	1615x1290x100	38,00	42,00	QR0404	-
Grey Aluminium	White Ceramic	1800x1200	1920x1305x85	42,50	47,28	QR0504	-
Grey Aluminium	White Ceramic	2000x1000	2200x1060x65	42,50	45,00	QR0704	-

TECHNICAL DETAILS**COMPOSITION:****ASSEMBLY OVERVIEW:**

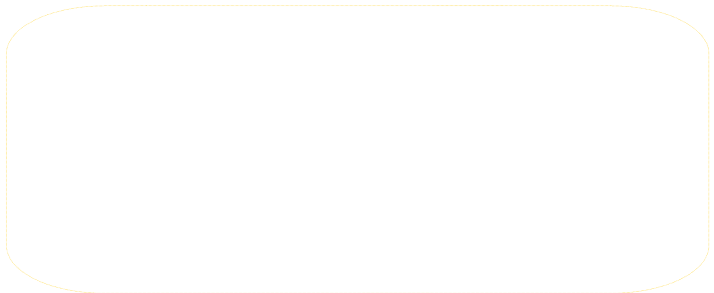
- Aluminium frame
- Plastic corners with caps
- Ceramic/magnetic/non-magnetic surface



CERTIFICATION AND LEGISLATION:

n/a

ILUSTRATION:



SUGGESTED ADVERT:

Revolver Whiteboard

Practical mobile revolving double sided whiteboard

- Economical mobile solution
- Robust stand mounted on four locking castors
- Available in three choices of surface
- Non magnetic dryerase surface
- Magnetic coated steel or premium ceramic surface
- Repositionable metal pen tray



52-IM-01
Revisão 01

WITHIN FAMILY:

- Revolver Plus
- Earth-It Revolver

QR CODE:



Author: Catarina Veiga

Approval:

Revision: 02
Date: 06-12-2017

REVOLVER



INSTRUCTIONS • INSTRUCTIES • ISTRUZIONI • ANLEITUNG • INSTRUCCIONES • INSTRUÇÕES

